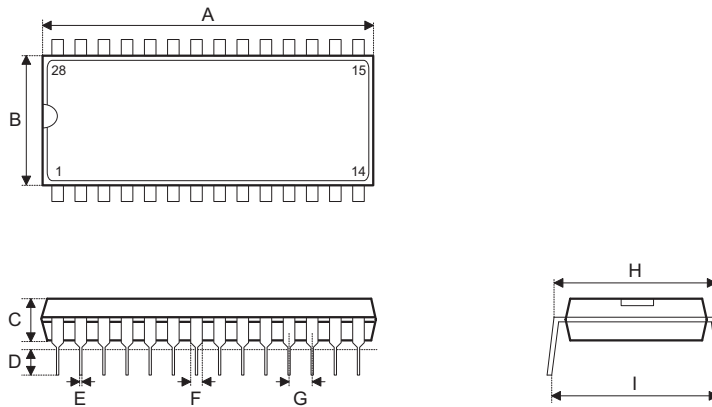


Ceramic DIP Outline Dimensions

28-pin DIP (600mil) Outline Dimensions



Symbol	Dimensions in mil		
	Min.	Nom.	Max.
A	1445	—	1465
B	505	—	535
C	155	—	165
D	130	—	140
E	16	—	20
F	50	—	70
G	—	100	—
H	608	—	618
I	—	—	670